

## CLASSIC PROCESS GAUGE

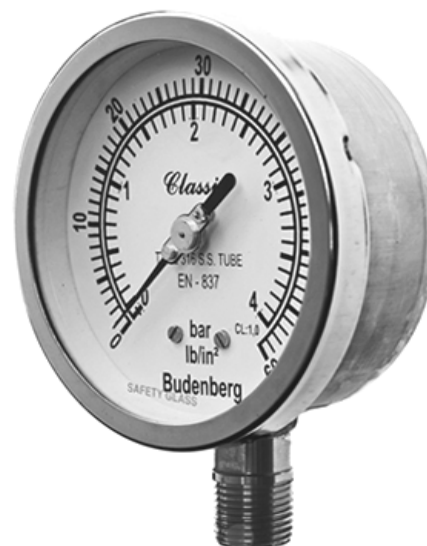


The Classic range of Pressure Gauges has been designed to meet the high demands of the process industry.

From harsh corrosive chemical applications to general engineering uses, the Classic combines a high specification with a very cost effective price.

The standard unit incorporates 316 stainless steel wetted parts that are housed within a liquid fillable 316 stainless steel case. Standard units are available as dual scale bar and psi but custom scales can be supplied.

Available with a wide range of accessories including: Syphons, Snubbers, Gauge Savers, Manifolds, Diaphragm Seals etc ensures that Budenberg can provide you with the right product to suit any individual application or requirement.

**Size**

100 mm (4") & 150mm (6")

**Mounting**

Direct or Surface

**Case & Bezel**

One-piece open front case in 316 Stainless Steel with a safety blow out disc in the back. Polished Bezel with Bayonet Locking mechanism

**Scale Ranges**

0 to 1 bar to 0 to 1400 bar or equivalent units of pressure / vacuum are available

**Pressure Element**

≤80 Bar – 316 Stainless Steel Bourdon Tube  
≥81 Bar - 316 Stainless Steel Coil

**Overload**

Units withstands overload pressure up to 130% of FSD

**Pressure Connection**

3/8", or 1/2" NPT

**Accuracy Class**

CL:1 1.0% of FSD as defined in EN837-1

**Temperature**

Operating: -40 to +60 °C

Storage: -40 up to +100 °C

Options: for lower or higher operating temperatures, please contact our Sales Office

**Temperature Effect**

+/- 0.4% per 10 °C

**Dial**

White Anodised Aluminium marked in black finish  
Dual scale bar / psi is standard but customised dials are available

**Pointer**

Black Aluminium Micrometer Adjustable Pointer

**Movement**

Stainless Steel Construction

Option : Case filling with glycerine or other fluids is available

**Window**

Toughened Safety Glass

**Environmental Rating**

IP65 as defined in EN 60 529

**Traceability**

All instruments are individually calibrated

A Certificate of Conformity is Supplied Free of Charge

**Certification available**

BS EN 10204 3.1B Material Certification

Point by Point Test Certificate

**Safety**

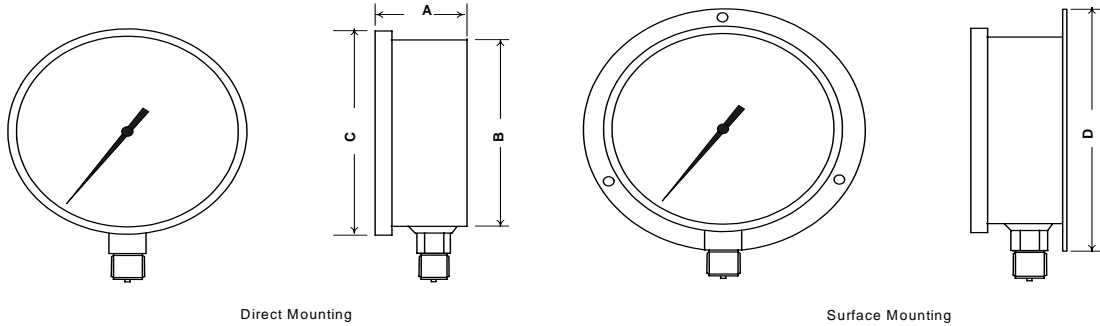
All units are manufactured to comply with EN 837-1 specification and other regulatory standards including PED.

**Installation instructions**

Refer to EN 837-2

## Dimensions

## Model : 736



Model No	A	B	C	D	Hole Diam	PCD	Weight
100mm 736 (Dry Case)	49	101	111	134	6.0	118	0.5 kg
100mm 736 (Filled Case)	49	101	111	134	6.0	118	0.9 kg
150mm 736 (Dry Case)	54	161	172	186	6.0	168	1.0 kg
150mm 736 (Filled Case)	54	161	172	186	6.0	168	1.9 kg

### Standard Stock units - 100 mm, Dual Scale bar / psi

Stock No	Range	Connection	Stock No	Range	Connection
73601.01/2N	0 - 1.0 bar	1/2" NPT m	73601.03/8	0 - 1.0 bar	3/8" BSP m
73601.61/2N	0 - 1.6 bar	1/2" NPT m	73601.03/8	0 - 1.6 bar	3/8" BSP m
73602.51/2N	0 - 2.5 bar	1/2" NPT m	73601.03/8	0 - 2.5 bar	3/8" BSP m
73604.01/2N	0 - 4.0 bar	1/2" NPT m	73601.03/8	0 - 4.0 bar	3/8" BSP m
73606.01/2N	0 - 6.0 bar	1/2" NPT m	73601.03/8	0 - 6.0 bar	3/8" BSP m
736010.01/2N	0 - 10 bar	1/2" NPT m	73601.03/8	0 - 10 bar	3/8" BSP m
736016.01/2N	0 - 16 bar	1/2" NPT m	73601.03/8	0 - 16 bar	3/8" BSP m
736025.01/2N	0 - 25 bar	1/2" NPT m	73601.03/8	0 - 25 bar	3/8" BSP m
736040.01/2N	0 - 40 bar	1/2" NPT m	73601.03/8	0 - 40 bar	3/8" BSP m
736060.01/2N	0 - 60 bar	1/2" NPT m	73601.03/8	0 - 60 bar	3/8" BSP m

### Accessories

Budenberg can supply a full range of gauge accessories and manifolds that include:

Externally Adjustable Snubber	-	See datasheet VAC 51
U' and Scroll syphons	-	See datasheet VAC 52
Overload Protection Valves	-	See datasheet VAC 53
Gauge Swivel Adaptors	-	See datasheet VAC 50
Needle Valves	-	See datasheet VAC 16 - 17
Ball Valves	-	See datasheet VAC 15
Block & Bleed Manifolds	-	See datasheet VAC 20
Diaphragm Seal units	-	See datasheets BUD 38 - 45

Please contact our Sales Office for any special requirements including units for operation on special services, higher temperature operation or customised dials.,